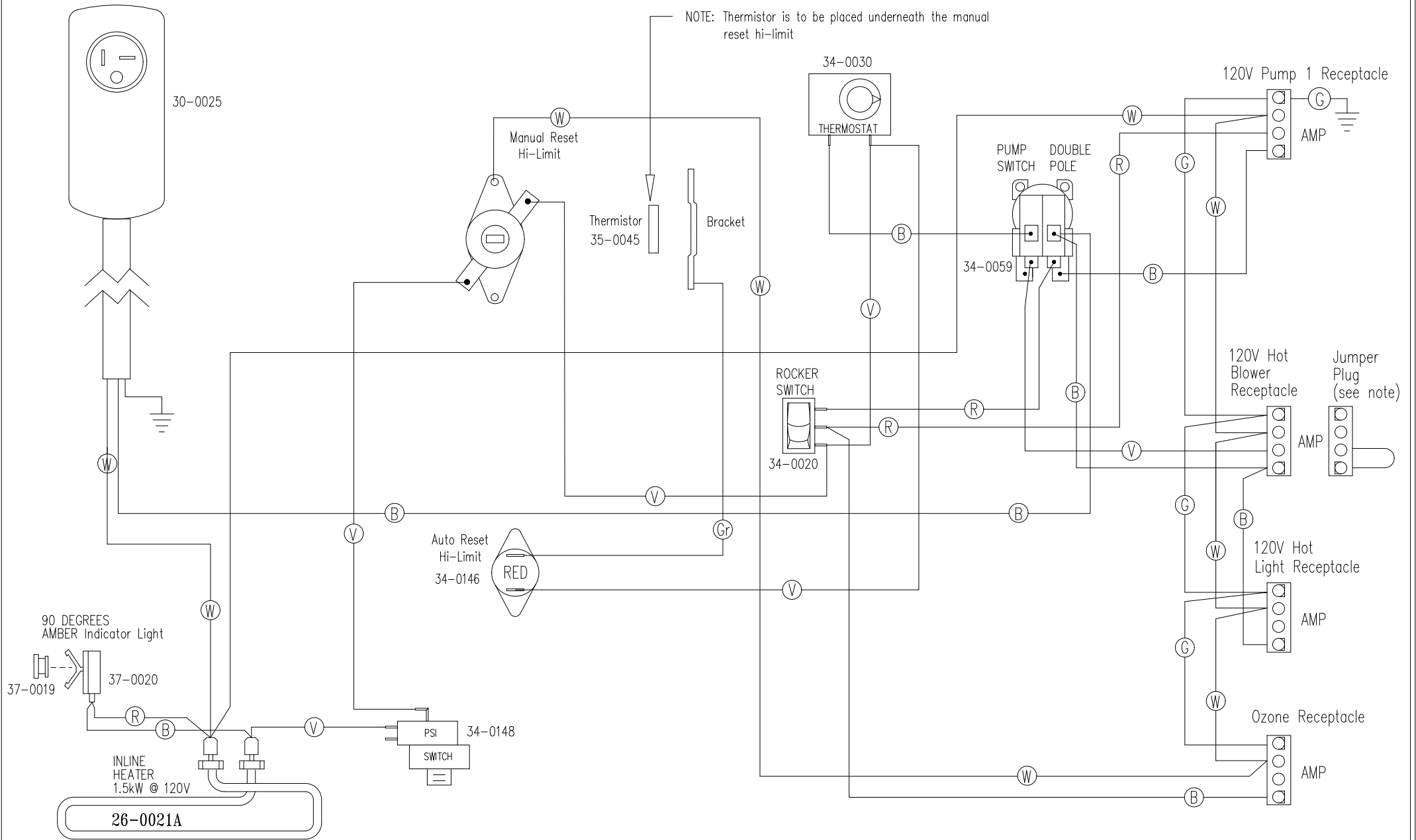


20AMP CORDEND GFCI



HYDRO-QUIP
CORONA, CA 909.273.7575

Manufacture Notes: USE STAINLESS STEEL BULKHEADS ONLY.

Dwg. No.
BF-15AT-13C

Drawn
CDV

Rev
2

Wire Color Code

Note: Jumper is for use when blower is NOT installed,
Failure to do so will cause the equipment to malfunction.

Date
7.19.01
Diagram
No. 1261

B - Black
Br - Brown
R - Red
O - Orange
Y - Yellow
G - Green
Bl - Blue
V - Violet
W - White
Gr - Gray